

ETP Series Ticket Dispenser

Features:

- Prints machine number, rate, ticket sequence number, year, month, date, and time
- Field programmable operation
- Multiple input/output capability for lot full, gate control, low ticket, and count outputs
- Two-line by 20-character backlit LCD display with programmable custom message and date format
- Operates standalone or via on-line communications
- Accommodates credit card size plain (ETP-12) or mag-stripe (ETP-22) tickets
- Automatic, manual, or semi-automatic ticket issuance
- Low ticket indicator on LCD display
- Password protection for programming



Amano Cincinnati's ETP Series Ticket Dispenser is designed to keep your business running smoothly and to protect your revenue. Extensive programming

capabilities for the normal issuing mode include valet parking applications (multiple ticket) and a custom greeting on the display.



SPECIFICATIONS

ETP Series Ticket Dispenser

Model Configuration

ETP-12 issues plain, credit card size tickets

ETP-22 issues magnetically encoded, credit card size tickets

Electrical

105V-125V AC, 50/60 Hz; 5 amp max.

210V-250V AC, 50/60 Hz; 2.5 amp max.

Multiple I/O capability for lot full, gate control, low ticket and count outputs; utility outlets; ticket in throat alarm

Battery backup protects clock and program data up to 72 hours

Mechanical

Automatic ticket feed, dot matrix printer, cartridge ribbon, self-sharpening ticket cutter

Housing

Heavy-duty, 14-gauge steel construction, weather gasketing, heavy-duty polyethylene cover, lockable door

Dimensions: 45-1/2 x" h x 18" w x 22-1/2 x" d
(116 cm x 46 cm x 57 cm)

Ticket throat: 39" h (99 cm)

Weight: 165 lbs. (75 kg)

Finish (Standard): Yellow (RAL #1028); White (RAL #9010)

Time Control

- Real-time clock synchronization with host computer
- Built-in crystal controlled perpetual calendar
- Programmable Daylight Saving Time adjustment

Environment

Temperature: -10°F ~120°F (-23°C ~ 49°C)

Automatic thermostat-controlled heater included

Humidity: 10% ~ 95% (non-condensing)

Printer

- Large 9" x 7" dot matrix printer
- Prints month, date (programmable format), ticket number, lane number, and rate

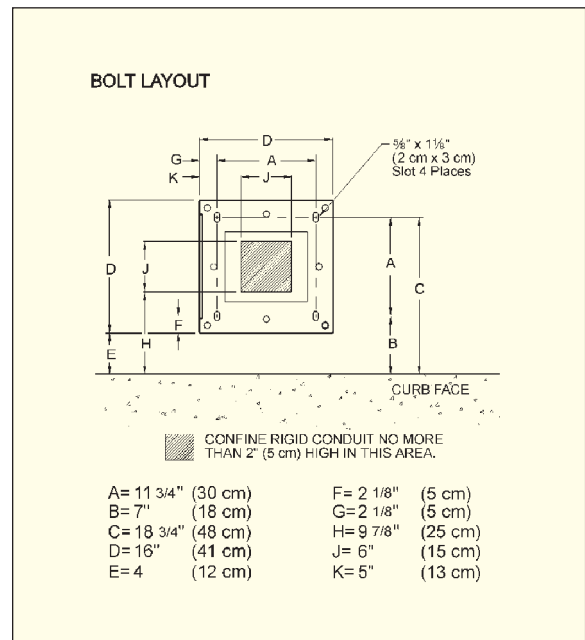
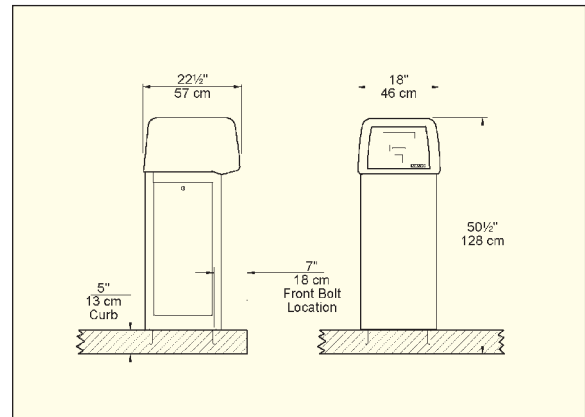
Uses fanfold tickets: 5,000 tickets/carton

Credit card size tickets: 2-1/8" x 3-3/8" (5.41 cm x 8.59 cm)

Options

- User programmable voice announcement/intercom kit (ETP-0526/A622)
- Input/Output controller
- Additional Input/Output modules

REPRESENTED BY:



Manufactured by Amano Cincinnati, Inc.'s Ohio factory, an ISO 9001:2000 registered facility. Specifications are approximate and are subject to change without notice

UL approval does not apply to 210/250v AC, 50/60 Hz



AMANO[®]
We Understand Parking

Corporate Headquarters: 140 Harrison Avenue, Roseland, NJ 07068-1239
Atlanta / Chicago / Cincinnati / Dallas / Los Angeles / New York / Toronto

(800) 526-2559 www.amano.com