



AMANO® PARKING SOLUTIONS



AGP-4400

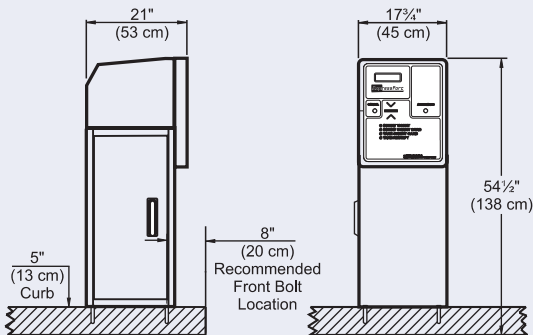
ExpressParc®

Exit Pay Credit Card System

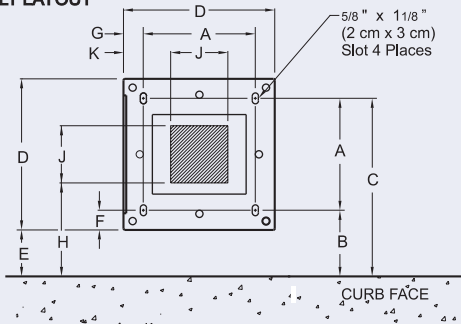
Amano Cincinnati, Inc.'s AGP-4400 ExpressParc® Exit Pay Credit Card System accepts entry tickets and validation coupons, calculates parking fees, accepts and processes credit cards, prints and issues receipts, and vends the gate.

This unit, which interfaces with an on-line credit card host PC for fee calculation and credit card processing, is extremely cost efficient because it reduces the need for cashiers, allowing you to utilize your employees more effectively. The need for inventoried parts and service training are greatly reduced because the ExpressParc uses common hardware components.

AMANO®



BOLT LAYOUT



CONFINE RIGID CONDUIT NO MORE THAN 2" (5 cm) HIGH IN THIS AREA.

- A= 11 3/4" (30 cm)
- *B= 8" (20 cm)
- *C= 19 3/4" (50 cm)
- D= 17 3/4" (45 cm)
- *E= 5" (13 cm)
- F= 3" (8 cm)
- G= 3" (8 cm)
- *H= 10 5/8" (27 cm)
- J= 6" (15 cm)
- K= 5 7/8" (15 cm)

* RECOMMENDATION ONLY. INSTALLATION REQUIREMENTS MAY VARY.

FEATURES

- Increased throughput provides rapid exit from your facility**
- Increased exit lanes with no added labor costs**
- Real time authorization processing or batch processing**
- Secure — no cash collected, no cash available**
- Large selection of financial processors supported**
- ADA compliant**

SPECIFICATIONS:

The AGP-4400 ExpressParc® Credit Card Exit Pay System is typically located at the exit of a parking facility. The System accepts the entry ticket, calculates the parking fee, accepts and processes the credit card, prints and issues a receipt and vends the gate.

ELECTRICAL

- 120 VAC, 60 HZ
- 220/240 VAC, 50/60 HZ
- 10 amp max (120V) 5 amp max (240V)
- Multiple I/O capability for ticket tracking, count and monitoring

MECHANICAL

Automatic dual ticket feed; dot matrix printer; cartridge ribbon; exclusive RWPV™ read, write, print and vault mag-stripe mechanism

TIME CONTROL

- Real-time clock synchronization with host computer
- Built-in crystal controlled perpetual calendar
- Programmable Daylight Saving Time adjustment

ENVIRONMENT

- Temperature:** -20°F~-120°F (-29°C~-49°C)
Automatic thermostat-controlled heater included
- Humidity:** 10% ~ 95% (non-condensing)

HOUSING

Heavy-duty, 12-gauge steel construction, weather gasketing, heavy-duty polyethylene cover, lockable door

Dimensions: 49-1/2"h x 17-3/4"w x 21"d
(125 cm x 45 cm x 53 cm)

Ticket throat: 38-3/4" (98 cm)

Weight: 135 lbs. (61 kg)

Finish (Standard): Yellow (RAL #1028); White (RAL #9010)

PRINTER

Prints credit card type receipt (entry month, date and time, exit month, date and time, parking fee, card type, card number (partial), transaction number)

TICKETS

- Uses fanfold tickets: 5000 tickets/carton
- Credit card size tickets: 2-1/8" x 3-3/8" (5.41 cm x 8.59 cm)
- Holds 1000 used tickets in vault; holds 5000 receipts

COMMUNICATIONS

Interfaces with an on-line credit card host PC for calculation and credit card processing

OPTIONS

- 2nd I/O Rack (passcard reader lockout)
- Access card acceptance capability with upgrade Firmware key L2

Manufactured by Amano Cincinnati, Inc.'s Ohio factory, an ISO 9001:2000 registered facility. Specifications are approximate and are subject to change without notice

UL approval does not apply to 210/250v AC, 50/60 Hz



AMANO®

140 Harrison Avenue, Roseland, NJ 07068-1239
(800) 526-2559 www.amano.com