

AGP-2000 Series Entry Station

Features:

- Standalone (AGP-2010 series) or on-line (AGP-2010, AGP-2030 and AGP-2050 series).
- Uses common hardware components (RWPV-based), fewer inventoried parts, reduced service training.
- Field programmable operation utilizing handheld wireless remote control.
- Accommodates credit card size mag-stripe media.
- Access card (AGP-2030 series) or credit card acceptance (AGP-2050 series) models optional.

The AGP-2000 Series Entrance Station is designed for multiple uses, typically at the unattended entrances of a parking facility. The AGP-2010 Series Entry Station dispenses a mag-stripe parking ticket and vends the gate.



The AGP-2030 Series adds mag-stripe card access functionality when used with an AGP-6030 series Exit Station and on-line card access host software.

The AGP-2050 Series adds credit card

functionality for ticket in/credit card out, and credit card in/credit card out when used with an AGP-6050 series Exit Station and on-line credit card host software.



SPECIFICATIONS

AGP-2000 Entry Station

Electrical

- 120V AC, 60 HZ
- 220/240V AC, 50/60 Hz
- 10 amp max. (120V) 5 amp max. (240V)
- Multiple I/O capability for ticket tracking, count and monitoring

Mechanical

Automatic dual ticket feed; dot matrix printer; cartridge ribbon; exclusive RWPV™ read, write, print and vault mag-stripe mechanism

Time Control

- Real-time clock synchronization with host computer
- Built-in crystal controlled perpetual calendar
- Programmable Daylight Saving Time adjustment

Environment

Temperature: -20°F ~ 120°F (-29°C ~ 49°C)
Automatic thermostat-controlled heater included

Humidity: 10% ~ 95% (non-condensing)

Housing

Heavy-duty, 12 gauge steel construction, weather gasketing, heavy-duty polyethylene cover, lockable door.

Dimensions: 49-3/8" h x 17-3/4" w x 21" d (126 cm x 45 cm x 53 cm)

Ticket throat: 38-3/4" (98 cm)

Weight: 135 lbs. (61 kg)

Finish (Standard): Yellow (RAL #1028); White (RAL #9010)

Printer

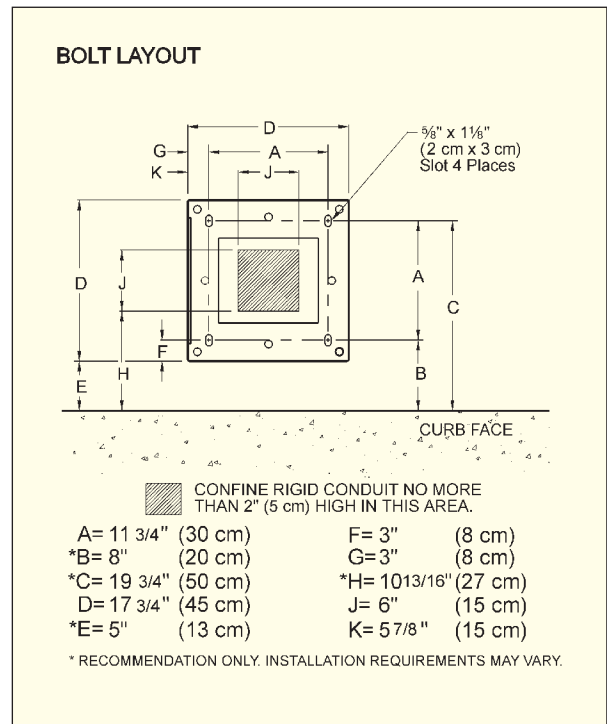
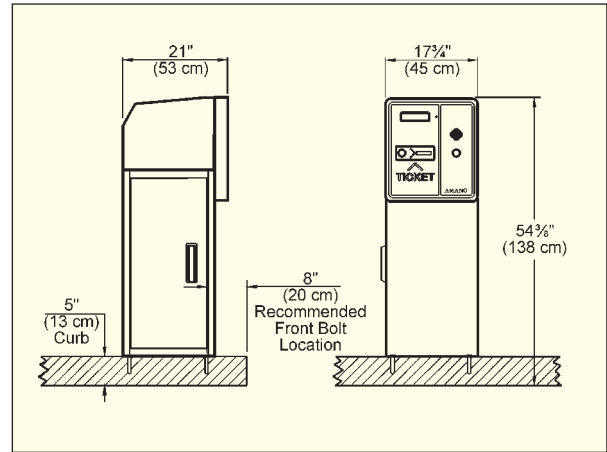
- Large 9 x 7 dot matrix printer
- Prints month, date and time (12 & 24-hour format), ticket number, machine number and rate,
- Marks and voids retracted tickets
- Self sharpening cutter blade

Tickets

- Uses fanfold tickets: 5,000 tickets/carton. Holds two cartons.
- Credit card size tickets: 2-1/8" x 3-3/8" (5.41 cm x 8.59 cm)

Other

2nd I/O Rack (passcard readers lockout)



Manufactured by Amano Cincinnati, Inc.'s Ohio factory, an ISO 9001:2000 registered facility.
Specifications are approximate and are subject to change without notice

REPRESENTED BY:



Corporate Headquarters: 140 Harrison Avenue, Roseland, NJ 07068-1239
Atlanta / Chicago / Cincinnati / Dallas / Los Angeles / New York / Toronto

(800) 526-2559 www.amano.com